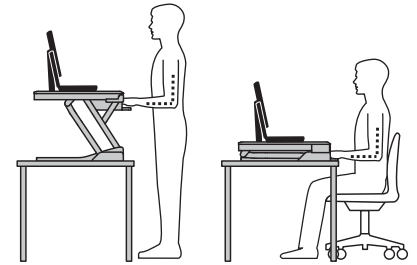
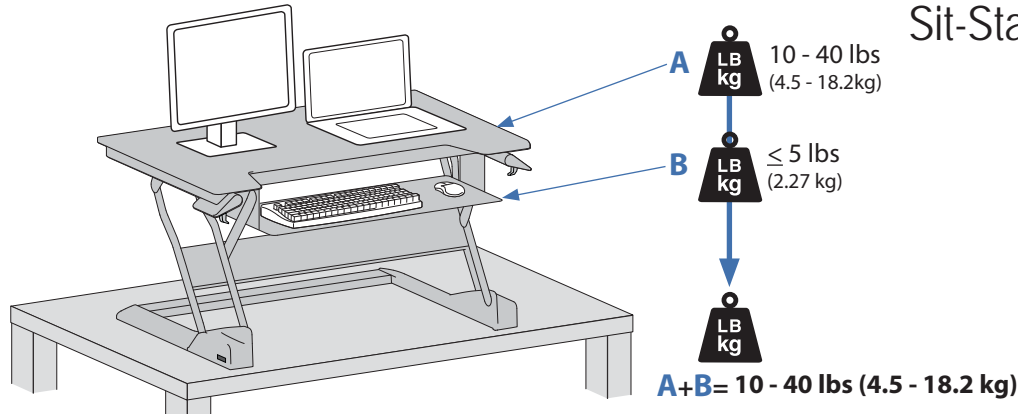


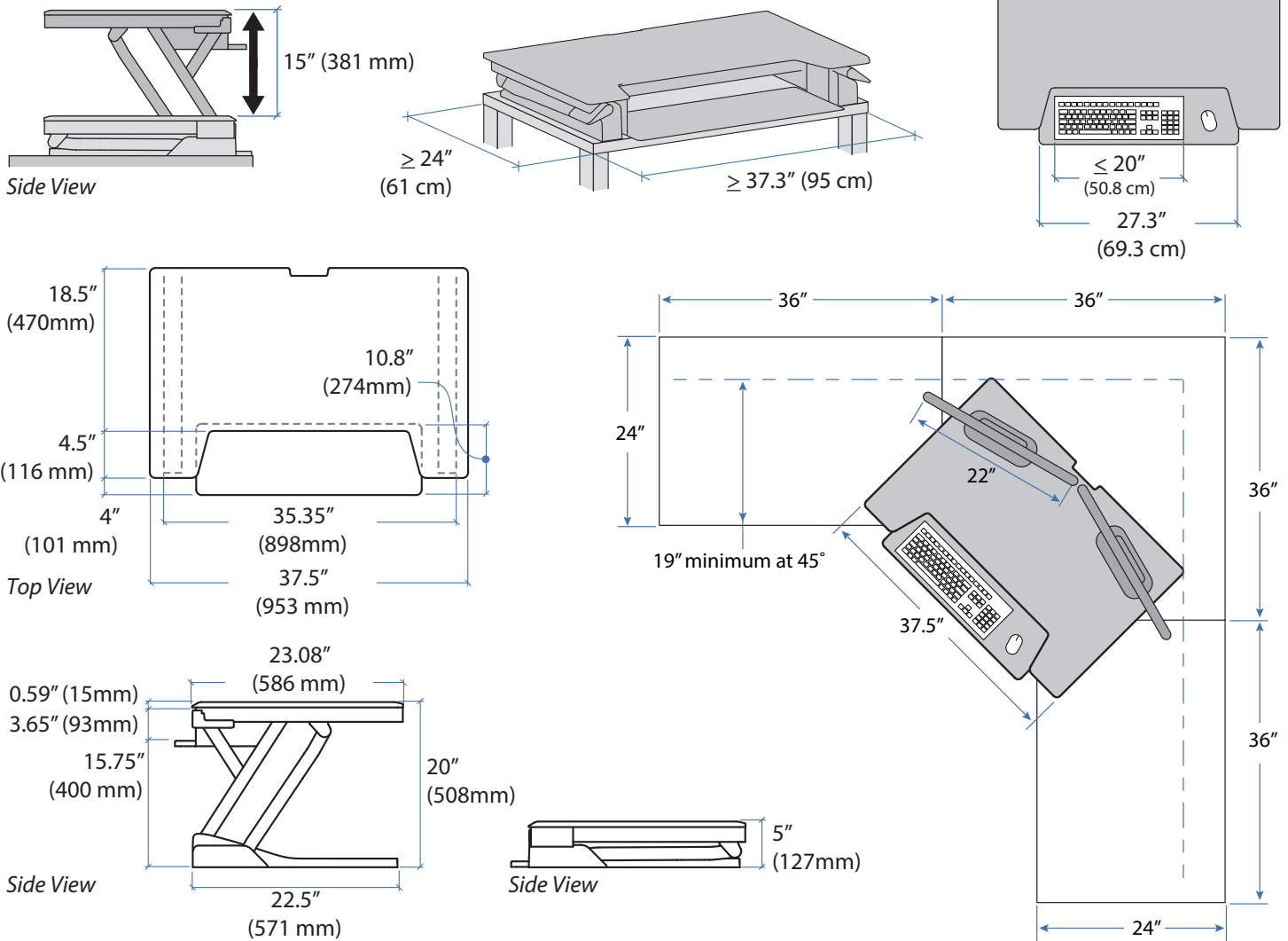
## Weight Capacity

# WorkFit-TL

## Sit-Stand Desktop Workstation



## Dimensions



Shown on a 90° corner work surface.  
Top View

© 2015 Ergotron, Inc. rev. 12/08/16 DIM-WorkFit-TL Content is subject to change without notification

### Americas Sales and Corporate Headquarters

St. Paul, MN USA  
(800) 888-8458  
+1-651-681-7600  
www.ergotron.com  
sales@ergotron.com

### EMEA Sales

Amersfoort, The Netherlands  
+31 33 45 45 600  
www.ergotron.com  
info.eu@ergotron.com

### APAC Sales

Tokyo, Japan  
www.ergotron.com  
apaccustomerservice@ergotron.com

### Worldwide OEM Sales

www.ergotron.com  
info.oem@ergotron.com